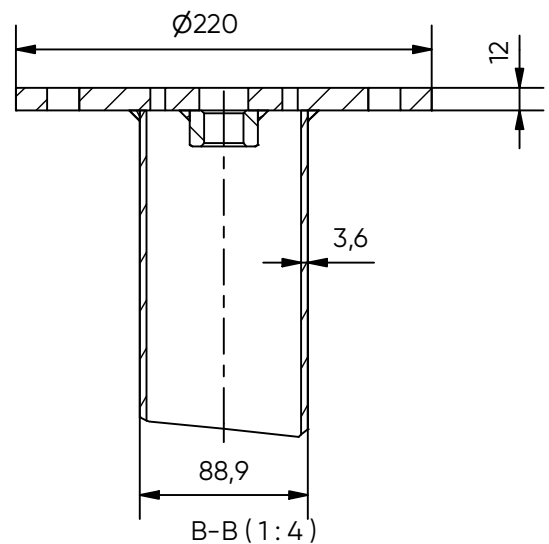
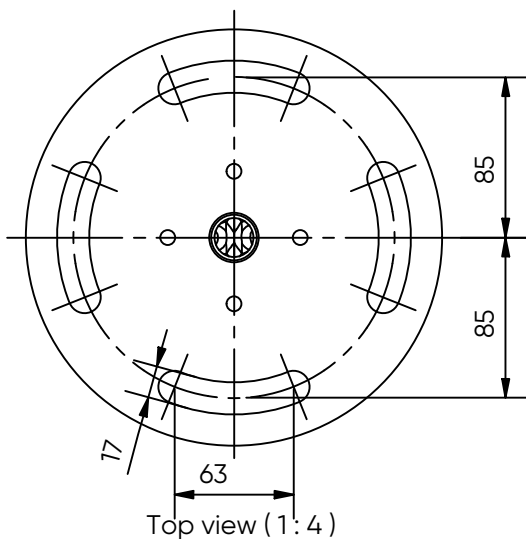
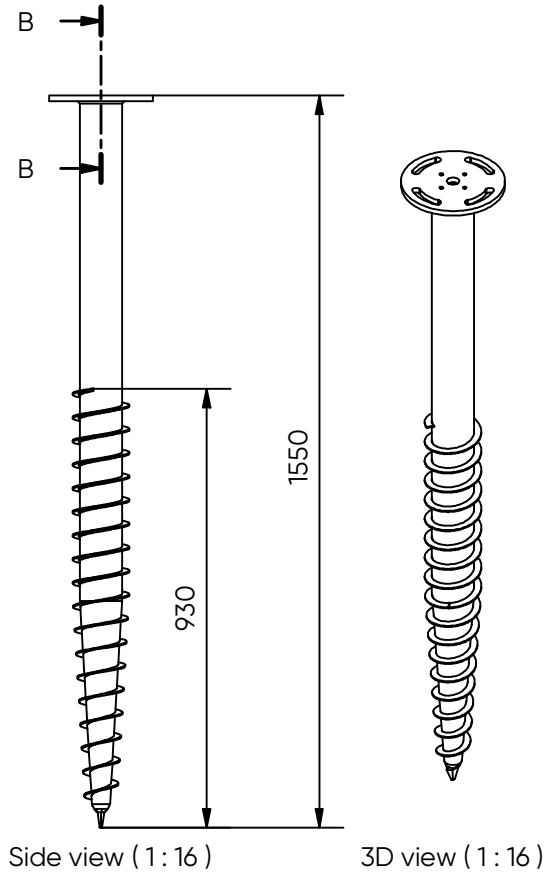


Ground Screw Round Flange

Ø89 x 1550mm - M24



Art. No:	32043	
Weight:	15,4 kg	
Dimensions:	Pipe: 88,9 x 3,6 x 1550 mm Flange: 12,0 x 220 mm	
Materials:	Steel grade Pipe: S235 Steel grade Flange: S355 Surface treatment: Galvanized acc. to EN-ISO 1461	
Installation:	Electric machine 5.000Nm Art.No: 12001 Pneumatic machine 10.800Nm Art.No: 12005 Hydraulic machine 7.500Nm Art.No: 120950 Hydraulic machine 12.000Nm Art.No: 120960	
Use:	Light construction e.g. porches, garden rooms and modular homes.	
Fixation:	M16 , M24 Bolts	

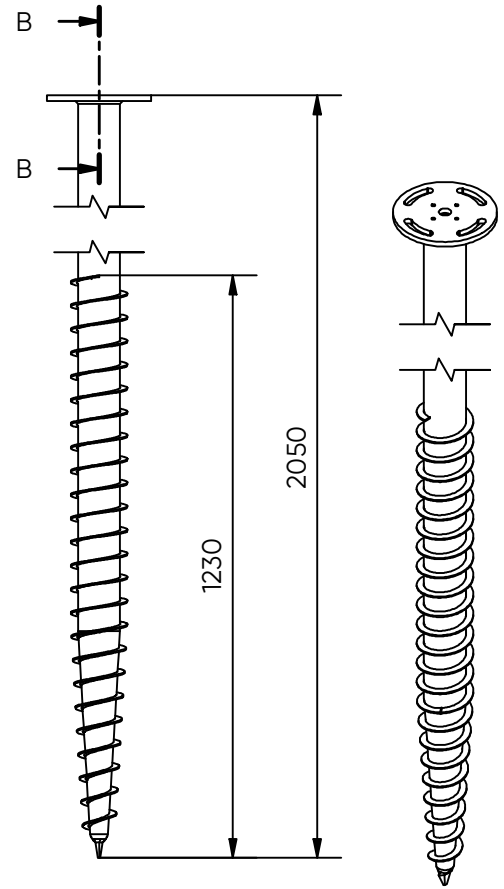


CE-certificate conform EN1090

Ground Screw Round Flange Ø89 x 2050mm - M24

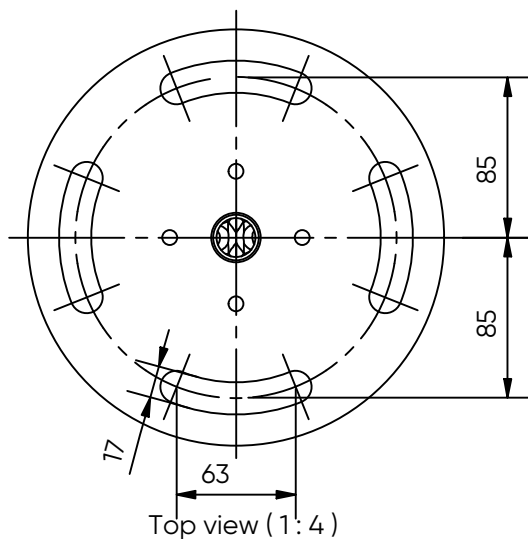


Art. No:	32044 - Ø89 x 2050mm	
Weight:	20,0 kg	
Dimensions:	Pipe: 88,9 x 3,6 x 2050 mm Flange: 12,0 x 220 mm	
Materials:	Steel grade Pipe: S235 Steel grade Flange: S355 Surface treatment: Galvanized acc. to EN-ISO 1461	
Installation:	Electric machine 5.000Nm Art.No: 12001 Pneumatic machine 10.800Nm Art.No: 12005 Hydraulic machine 7.500Nm Art.No: 120950 Hydraulic machine 12.000Nm Art.No: 120960	
Use:	Light construction e.g. porches, garden rooms and modular homes.	
Fixation:	M16 , M24 Bolts	

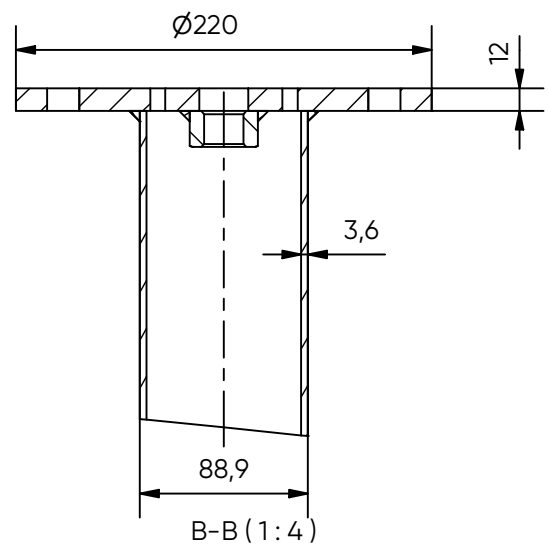


Side view (1 : 16)

3D view (1 : 16)



Top view (1 : 4)



B-B (1 : 4)

CE-certificate conform EN1090