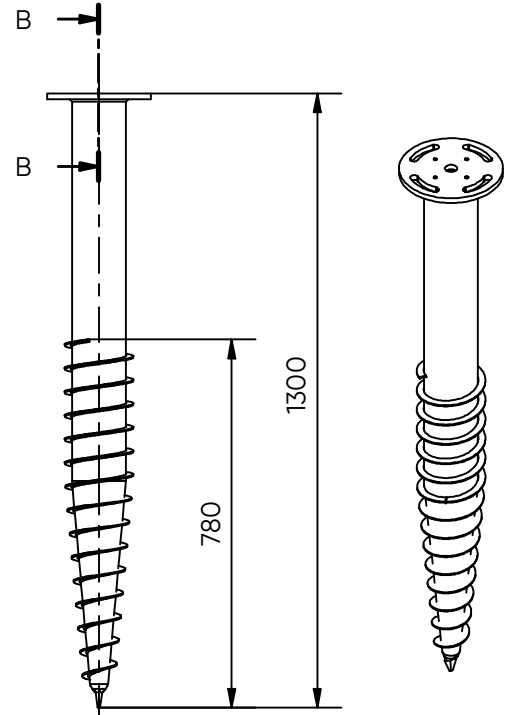


# Ground Screw Round Flange

## Ø114 x 1300mm - M24

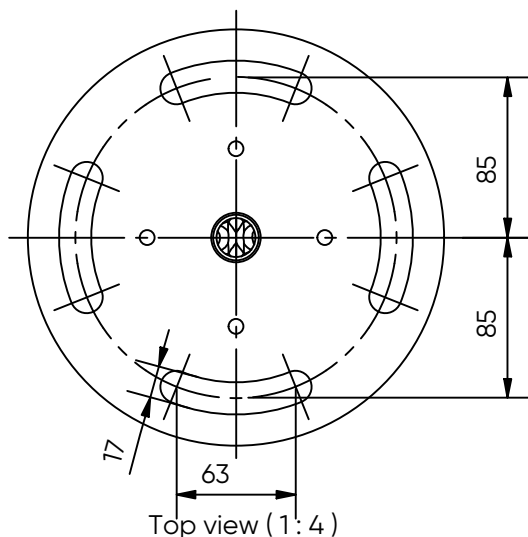


Art. No:	33042
Weight:	15,8 kg
Dimensions:	Pipe: 114,3 x 3,6 x 1300 mm Flange: 12,0 x 220 mm
Materials:	Steel grade Pipe: S235 Steel grade Flange: S355 Surface treatment: Galvanized acc. to EN-ISO 1461
Installation:	Pneumatic machine 10.800Nm Art.No: 12005 Hydraulic machine 12.000Nm Art.No: 120960
Use:	Light construction e.g. porches, garden rooms and modular homes.
Fixation:	M16 , M24 Bolts

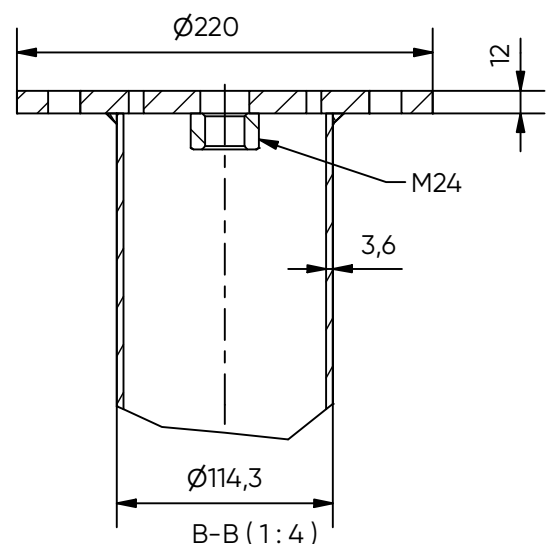


Side view (1 : 16)

3D view (1 : 16)



Top view (1 : 4)



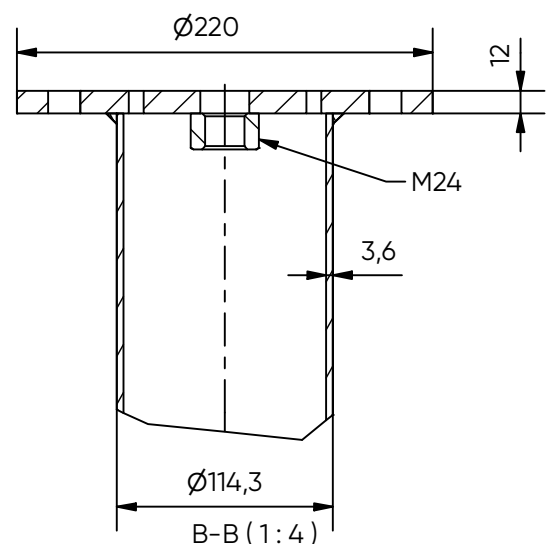
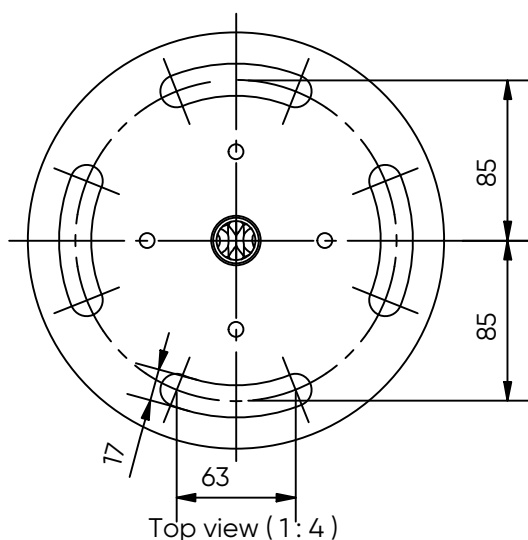
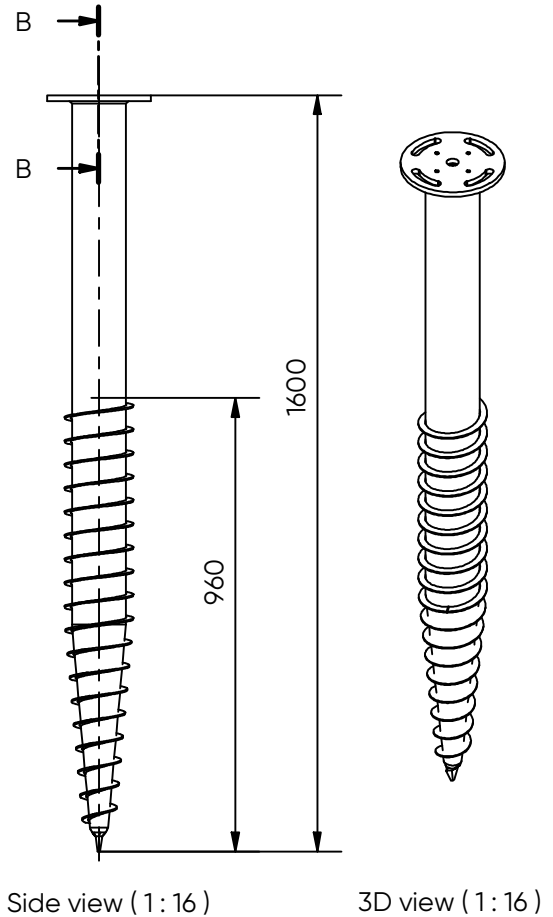
B-B (1 : 4)

CE-certificate conform EN1090

# Ground Screw Round Flange

## Ø114 x 1600mm - M24

Art. No:	33043
Weight:	19,3 kg
Dimensions:	Pipe: 114,3 x 3,6 x 1600 mm Flange: 12,0 x 220 mm
Materials:	Steel grade Pipe: S235 Steel grade Flange: S355 Surface treatment: Galvanized acc. to EN-ISO 1461
Installation:	Pneumatic machine 10.800Nm Art.No: 12005 Hydraulic machine 12.000Nm Art.No: 120960
Use:	Light construction e.g. porches, garden rooms and modular homes.
Fixation:	M16 , M24 Bolts



# Ground Screw Round Flange

## Ø114 x 2100mm - M24

Art. No:	33044
Weight:	25,1 kg
Dimensions:	Pipe: 114,3 x 3,6 x 2100 mm Flange: 12,0 x 220 mm
Materials:	Steel grade Pipe: S235 Steel grade Flange: S355 Surface treatment: Galvanized acc. to EN-ISO 1461
Installation:	Pneumatic machine 10.800Nm Art.No: 12005 Hydraulic machine 12.000Nm Art.No: 120960
Use:	Light construction e.g. porches, garden rooms and modular homes.
Fixation:	M16 , M24 Bolts

